

Utförare :
PIBL


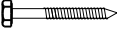


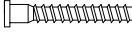
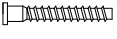

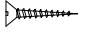
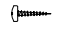
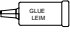


Artikelnummer:
701 038

Datum :
2007-09-20

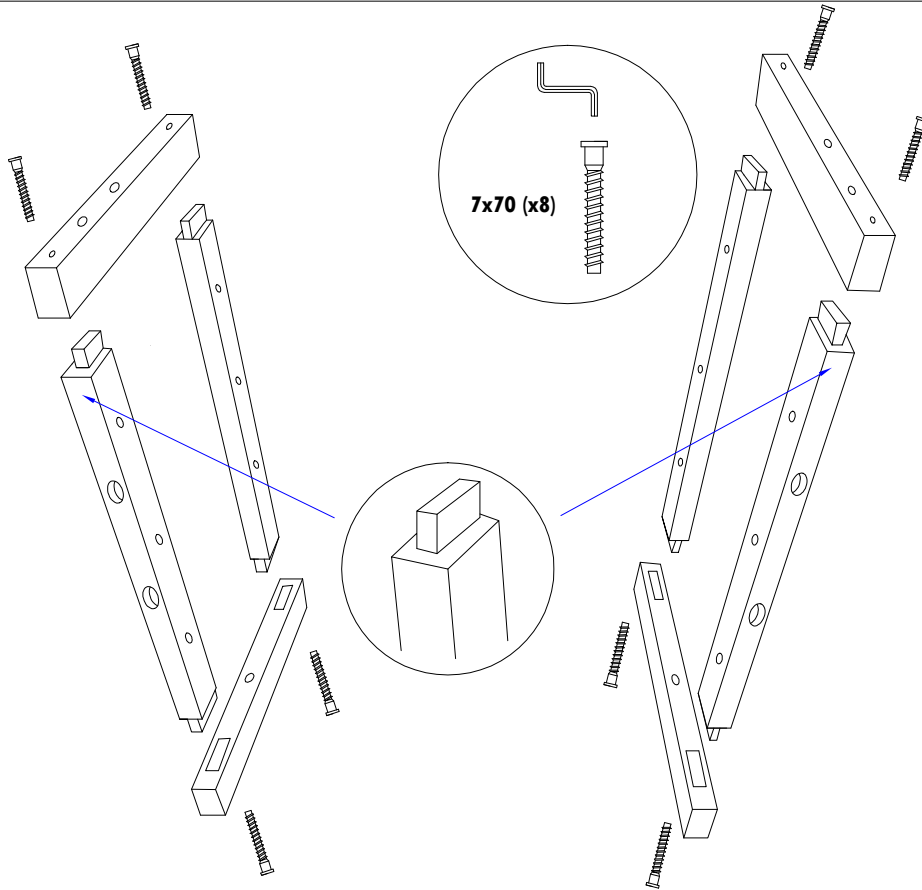
Dokumentnamn :
MB. 60

Utgåva :
03

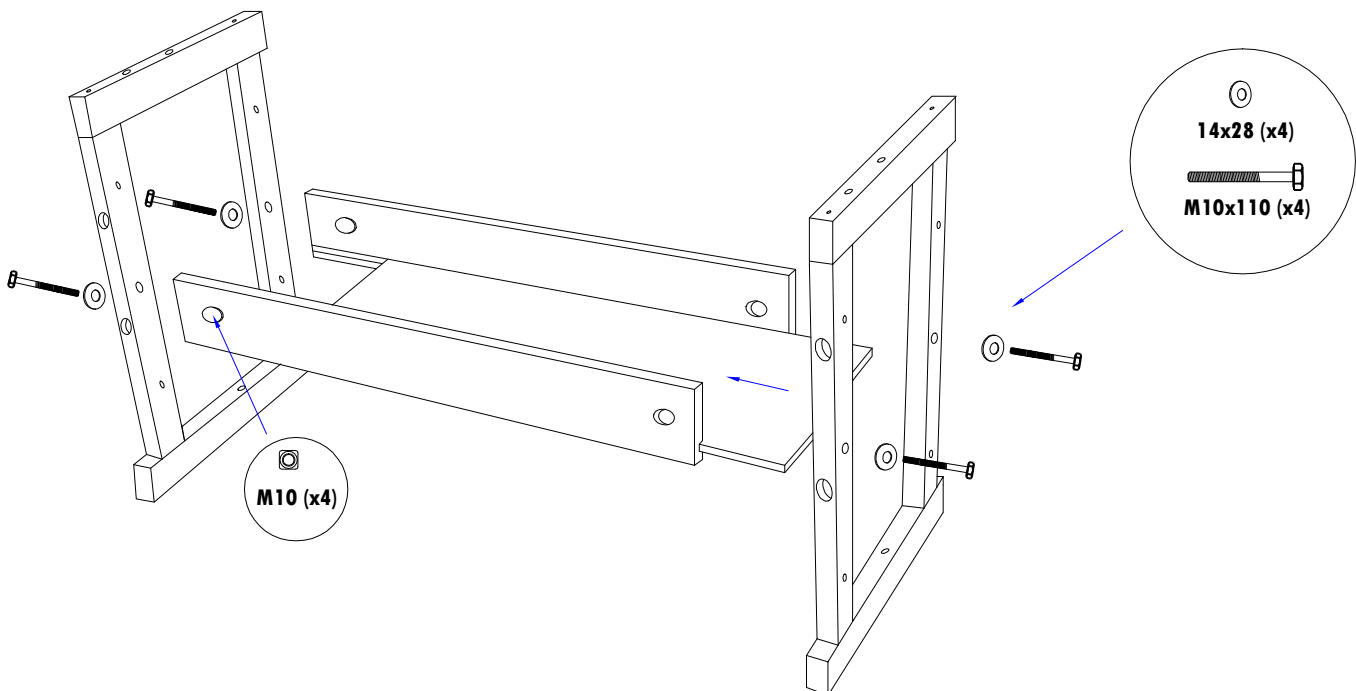
Assembly Instructions - Nordic Plus 1450/1660/1950

-  **M10x110 (x4)**
-  **8x100 (x2)**
-  **11x28 (x6)**
-  **M10 (x4)**
-  **7x70 (x8)**
-  **7x50 (x6/x10)**
-  **4/5 (x1)**
-  **5x45 (x4)**
-  **5x25 (x4)**
-  **(x2)**
-  **(x4)**
-  **(x4)**

1



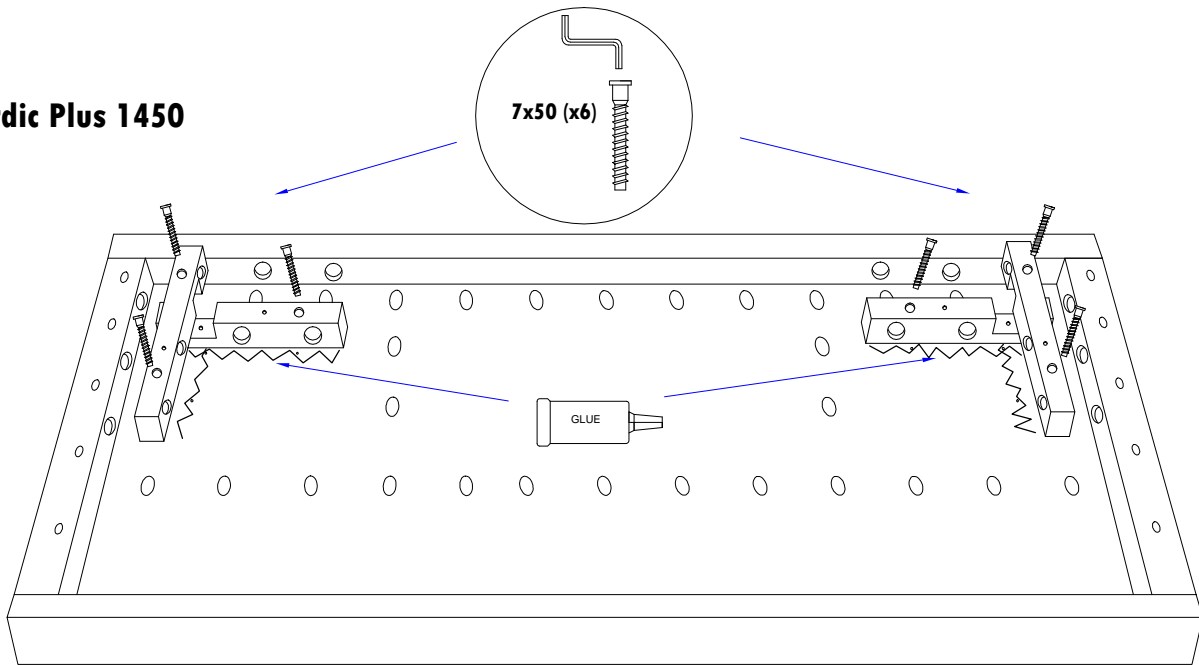
2



3A

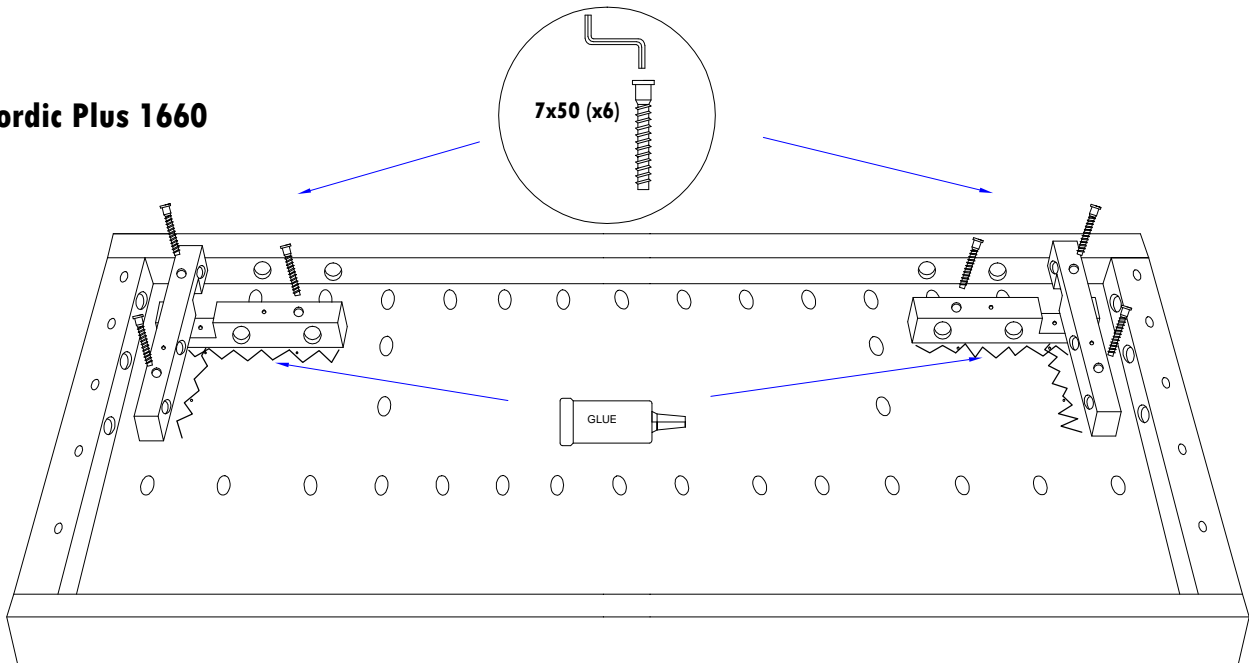
2

Nordic Plus 1450



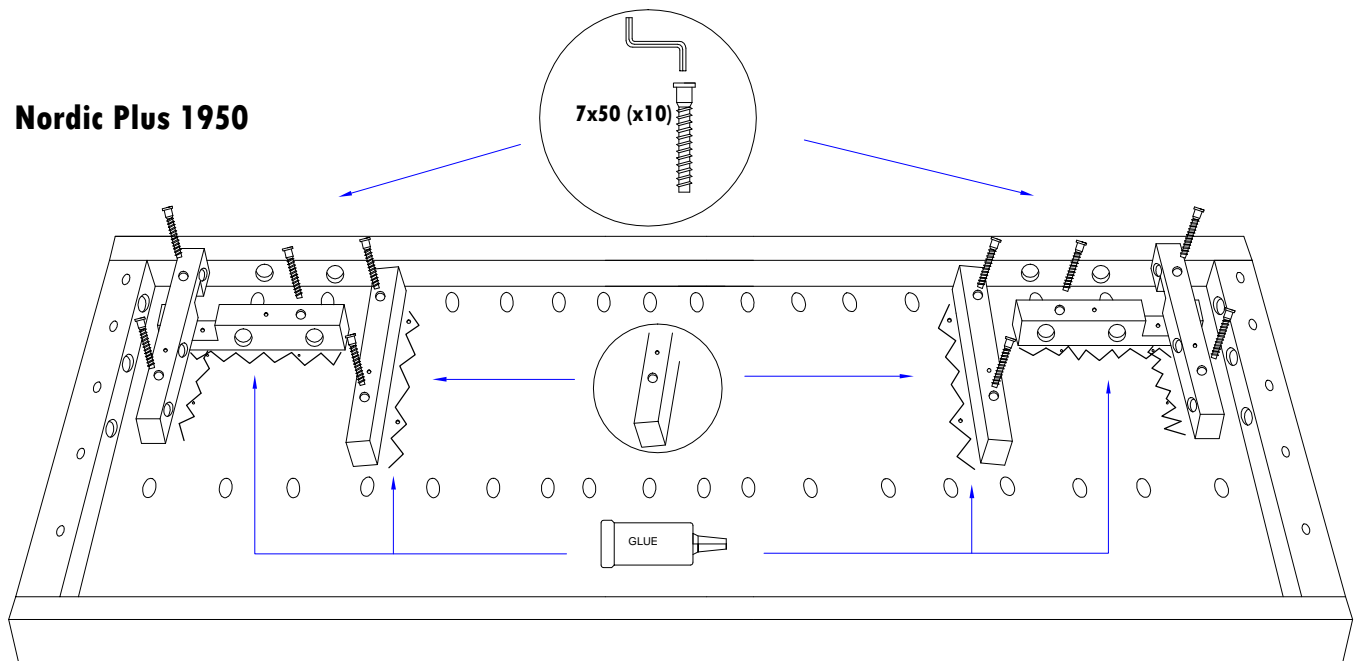
3B

Nordic Plus 1660



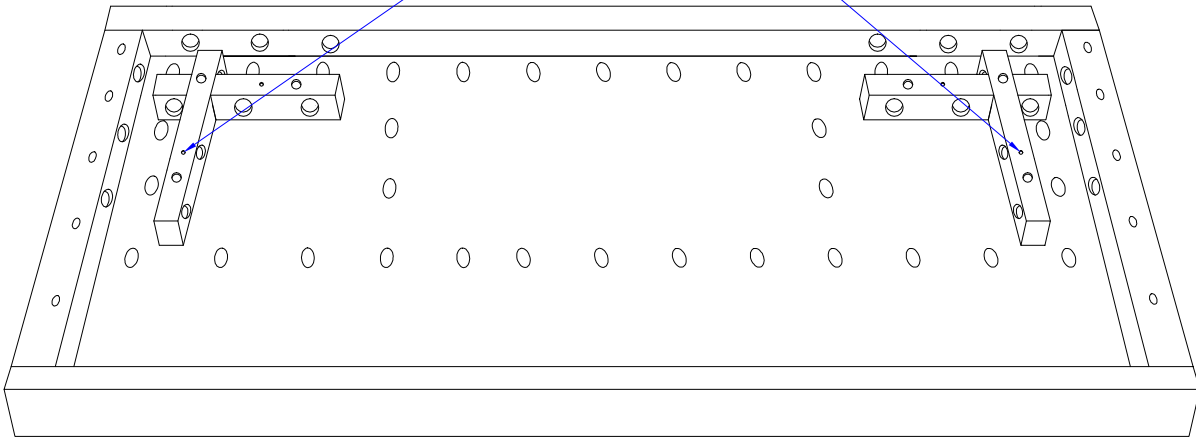
3C

Nordic Plus 1950



Nordic Plus 1450

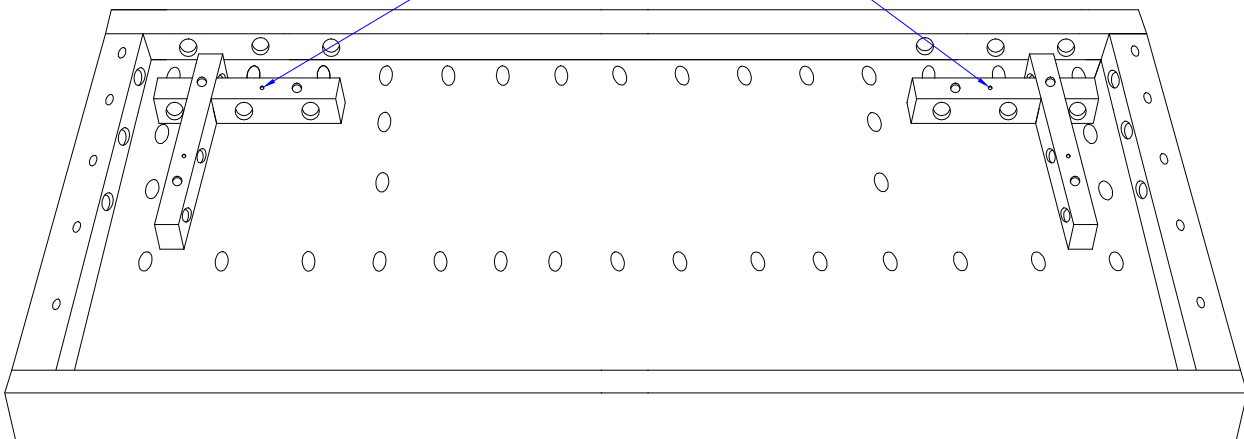
Use these holes to mount the benchtop on the trestle



4B

Nordic Plus 1660

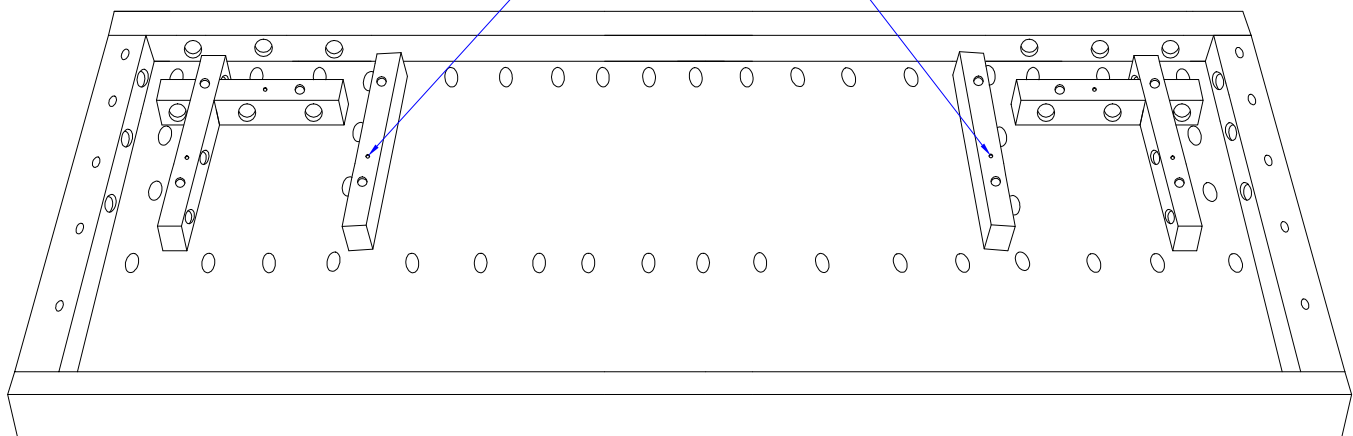
Use these holes to mount the benchtop on the trestle



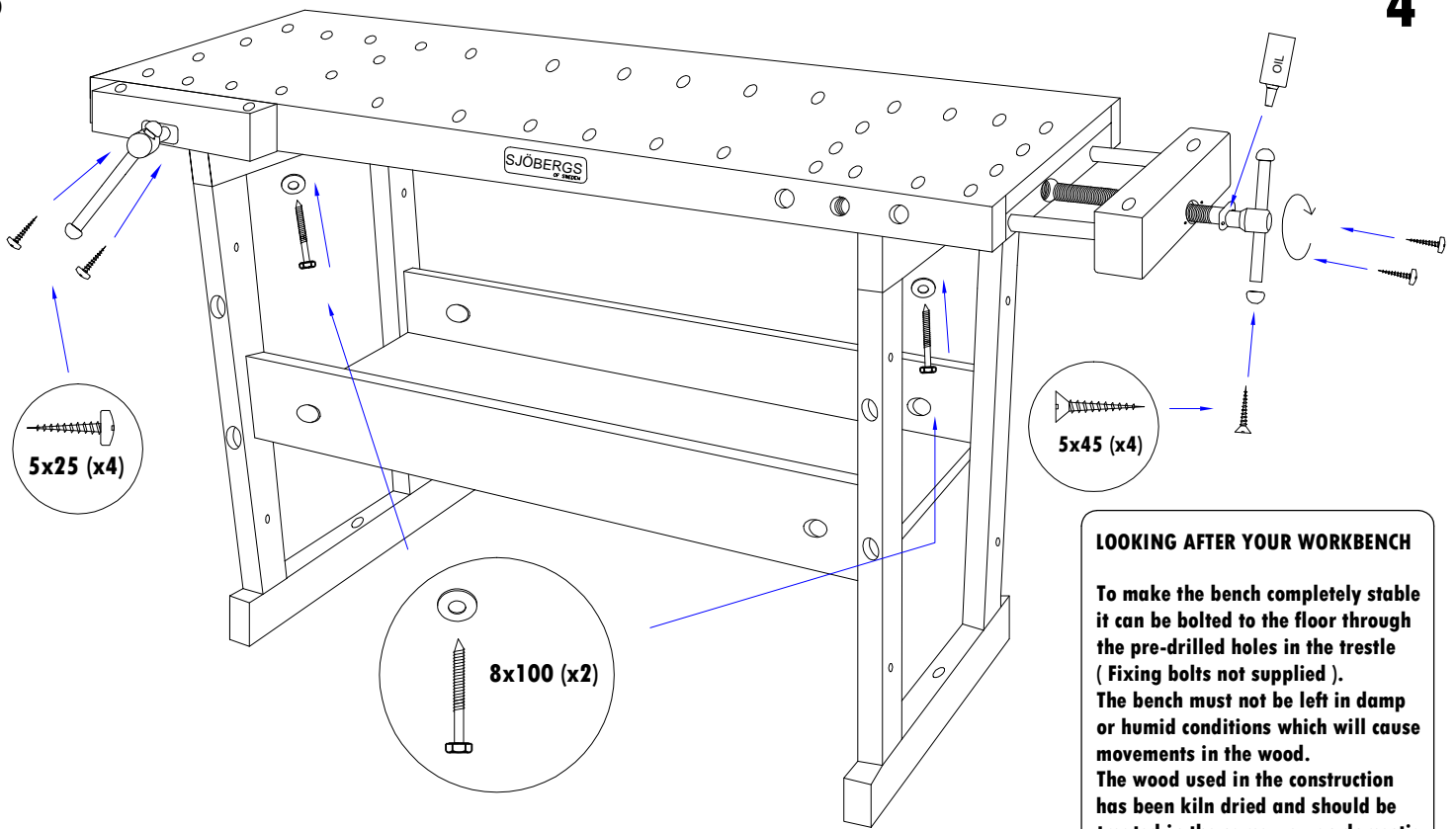
4C

Nordic Plus 1950

Use these holes to mount the benchtop on the trestle



5

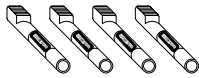


4

LOOKING AFTER YOUR WORKBENCH

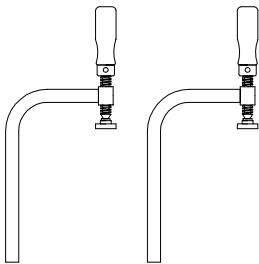
To make the bench completely stable it can be bolted to the floor through the pre-drilled holes in the trestle (Fixing bolts not supplied). The bench must not be left in damp or humid conditions which will cause movements in the wood. The wood used in the construction has been kiln dried and should be treated in the same way as domestic furniture.

Accessories Nordic Plus



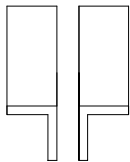
BENCH DOGS

33290: Round 3/4", Steel-reinforced plastic, 4-pack



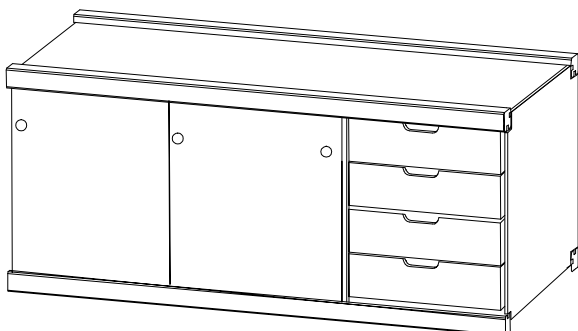
HOLDFAST

33637: Holdfast ST03 for Ø3/4", 2-pack



JAW PROTECTORS

33630: Jaw Protector ALU, 2-pack



CUPBOARD

33374: Cupboard 0042

SJÖBERGS
OF SWEDEN

www.sjobergs.se